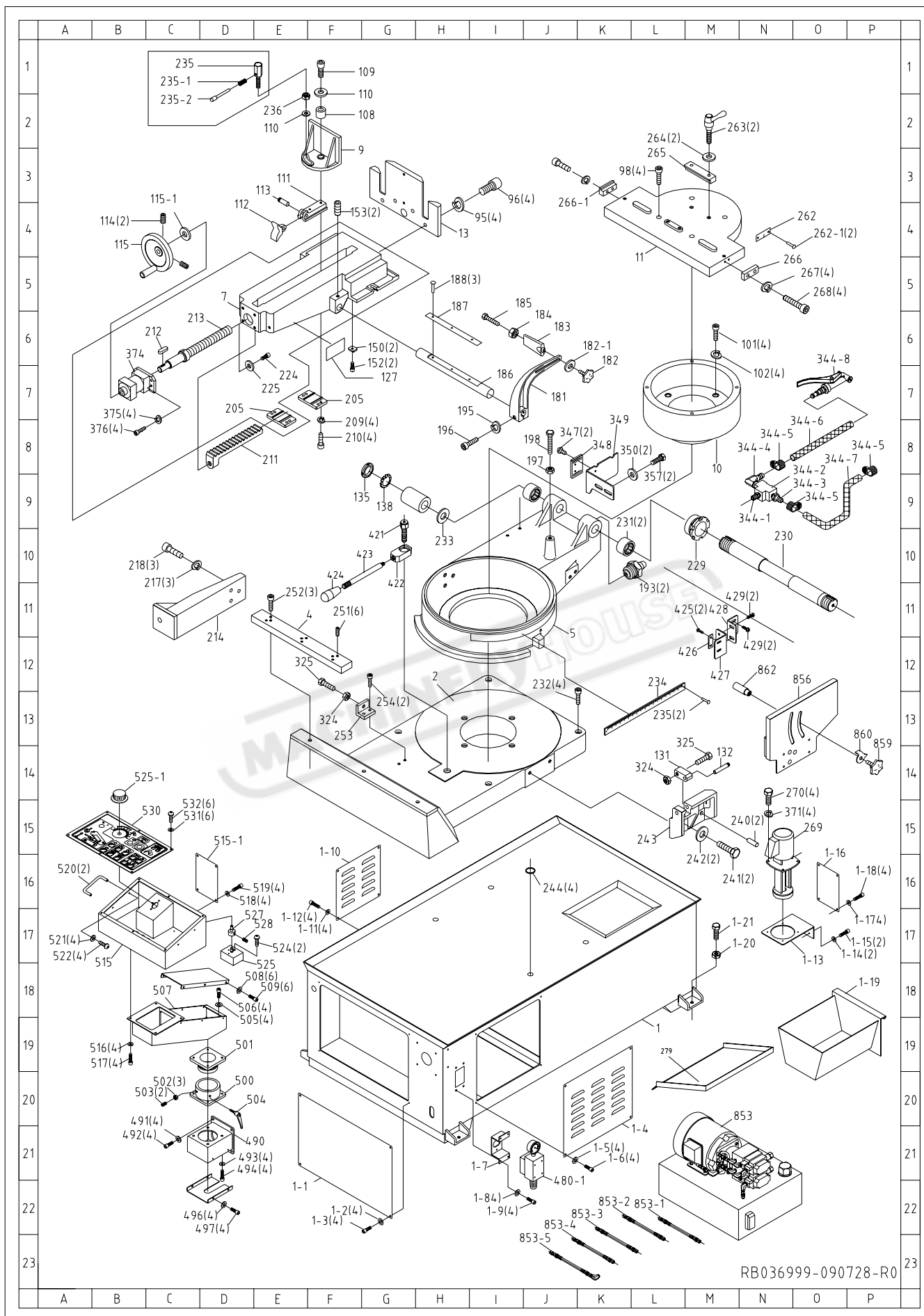


RB036999-090728-R0



PARTS LIST

MODEL NO. 330NAA

CODE NO	PART NO	DESCRIPTION	SPECIFICATION	QTY	NOTE
1	103005K	Stand		1	
1-2	HW004	Washer	6.5*13-0.8t (M6)	4	
1-3	HS229	Hex. Socket Head Screw	M6x15L	4	
1-5	HW004	Washer	6.5*13-0.8t (M6)	4	
1-6	HS229	Hex. Socket Head Screw	M6x15L	4	
1-7	103005K-1	Bracket A		1	
1-8	HW004B	Washer	M6	4	
1-9	HS334	Hex. Socket Head Screw	M6X12L	4	
1-11	HW004B	Washer	M6	4	
1-12	HS334	Hex. Socket Head Screw	M6X12L	4	
1-13	103005K-2	Bracket B		1	
1-14	HW004B	Washer	M6	2	
1-15	HS334	Hex. Socket Head Screw	M6X12L	2	
1-17	HW004B	Washer	M6	4	
1-18	HS334	Hex. Socket Head Screw	M6X12L	4	
1-19	103005K-3	Chip Tray		1	
1-20	HN008	Hex. Head Nut	M16	4	
1-21	HS117	Hex. Head Screw	M16x50L	4	
4	103015	Adjustable Support		1	
5	101029B	Swivel Base(Upper)		1	
6	103045A	Rear Pivot Bracket		1	
6-1	105073	Bushing		1	
6	105014	Rear Pivot Bracket		1	
7	101035A	Vise Base		1	
9	196208D	Vise Jaw Bracket(Front)		1	
10	101012	Fixed Shaft		1	
11	103011	Vise Base		1	
12	103014	Vise Base Plate		1	
13	101044	Vise Jaw Bracket(Rear)		1	
14	103041B	Body Frame		1	
16	103138S	Blade Back Cover		1	
17	103024	Idler Wheel Assembly		1	
18	103025	Drive Wheel		1	
19	191416	Hex. Head Screw		2	
21	103091A	Cylinder Assembly		1	
21	103091K	Cylinder Assembly		1	
21-1	151036A	Support Flange		1	
21-2	HS242	Hex. Socket Head Screw	M8X20L	2	
21-3	151037	Shaft		1	
21-4	HCS09	C-Retaniner Ring	S20	2	

PARTS LIST

MODEL NO. 330NAA

CODE NO	PART NO	DESCRIPTION	SPECIFICATION	QTY	NOTE
21-5	HD817	Connector	1/8"	1	
21-6	103178	Spring		1	
21-7	103174	Bush		1	
21-8	HN009B	Hex. Nut	M20XP1.5	1	
21-9	CAPOS20	Bearing	POS 20	1	
21-10	103176	Shaft		1	
21-11	103175	Bracket		1	
21-14	103177	Shaft		1	
21-15	HS232	Hex. Socket Head Screw	M6x30L	1	
21-16	103390	Limit Switch Adjusting Bracket		1	
21-17	151192	Knob	M8xP1.25*20L	1	
21-18	103180	Shaft		1	
21-19	HS241	Hex. Socket Head Screw	M8X12L	2	
21-20	HW005	Washer	8.5*18-1.6t (M8)	2	
21-21	JNB036999S1	Gauge	linch	1	
22	103032	Arm (Right)		1	
23	103029	Blade Adjustable (Rear)		1	
24	103031	Arm (Left)		1	
25	103030	Bearing Bracket (Left)		1	
26	103252A	Blade Angle Adjusting Bracket		1	
27	103250	Blade Tension Sliding Plate		1	
28	103251	Anchor Block		1	
29	1965011	Column		1	
30	103008A	Scale		1	
31	HH001	Rivet	∅ 2x5L	2	
32	HS432	Hex. Socker Headless Screw	M8x20L	4	
33	HS278	Hex. Socket Head Screw	M12x20L	2	
34	103157	Blade Select Chart		1	
36	HS527	Cross Round Head Screw	M6x10L	4	
37	HS242	Hex. Socket Head Screw	M8x20L	4	
38	1965052	Knob		2	
39	HW005	Washer	M8	4	
40	HN005	Hex. Nut	M8	4	
41	198170	Pressure Gauge		1	Option
42	103328	Bushing		1	Option
43	HP023	Pin	∅ 5X45L	2	
46	HW006	Washer	M10	1	
47	HW106	Spring Washer	M10	1	
48	HS058	Hex. Head Screw	M10x20L	1	
49	103259	Gib		2	

PARTS LIST

MODEL NO. 330NAA

CODE NO	PART NO	DESCRIPTION	SPECIFICATION	QTY	NOTE
50	HW105	Spring Washer	M8	6	
51	HS246	Hex. Socket Head Screw	M8x40L	6	
52	HW003	Washer	M5	2	
53	HW006	Washer	M10	1	
54	101116	Spring		1	
55	CA51204	Bearing	51204	1	
56	198051A	Blade Tension Handle		1	Option
56	103257	Handle Body		1	Option
57	103254	Bracket		1	
58	HS519	Cross Round Head Screw	M5x10L	2	
59	103261	Switch Base		1	
60	HS519	Cross Round Head Screw	M5x10L	2	
61	103253	Scale		1	
62	103256	Plate		1	
63	HS511	Cross Round Head Screw	M4X20L	2	
64	103327	Leadscrew		1	
64	103255	Leadscrew		1	
65	HS519	Cross Round Head Screw	M5x8L	2	
66	191415	Tension Indicating Plate		1	
67	HS262	Hex. Socket Head Screw	M10x40L	1	
68	HS229	Hex. Socket Head Screw	M6x15L	4	
69	HW104	Spring Washer	M6	4	
70	101008	Hemicycle Washer		1	
71	103258	Washer		1	
72	103260	Shaft Bushing		2	
73	HS231	Hex. Socket Head Screw	M6x25L	2	
74	103111	Shaft		1	
75	191404	Bushing		1	
76	HD608	Hose Clamp	ϕ 12	4	
77	HS519	Cross Round Head Screw	M5x10L	4	
78	1965014	Gib		1	
79	1965015	Blade Adjustable Knob		1	
80	HW006	Washer	M10	1	
81	103120A	Carbide Guide		4	
82	HS230	Hex. Socket Head Screw	M6x20L	4	
83	CA609ZZ	Bearing	609ZZ	2	
84	191414	Disc Spring		13	
85	103027S	Bearing Shaft Assembly		2	
85-1	103027	Bearing Shaft		2	
85-2	CA609ZZ	Bearing	609ZZ	6	

PARTS LIST

MODEL NO. 330NAA

CODE NO	PART NO	DESCRIPTION	SPECIFICATION	QTY	NOTE
85-3	HSC01	C-Retainer Ring	S10	2	
85	103027AS	Bearing Shaft Assembly		2	
85-1	103027A	Bearing Shaft		2	
85-2	CA609ZZ	Bearing	609ZZ	6	
85-3	HSC01	C-Retainer Ring	S10	2	
86	103028AS	Eccentric Shaft Assembly		2	
86-1	103028A	Eccentric Shaft		2	
86-2	CA609ZZ	Bearing	609ZZ	6	
86-3	HSC01	C-Retainer Ring	S10	2	
86	103028S	Eccentric Shaft Assembly		2	
86-1	103028	Eccentric Shaft		2	
86-2	CA609ZZ	Bearing	609ZZ	6	
86-3	HSC01	C-Retainer Ring	S10	2	
87	103026	Bearing Pin		2	
88	HS414	Hex. Socker Headless Screw	M5x10L	4	
89	HS422	Hex. Socker Headless Screw	M6x10L	2	
90	HS242	Hex. Socket Head Screw	M8x20L	2	
91	HW005	Washer	M8	4	
92	HS243	Hex. Socket Head Screw	M8x25L	4	
93	105013	Blade Guard (Front)		1	
94	196504	Label		1	
95	HW107	Spring Washer	M12	4	
96	HS283	Hex. Socket Head Screw	M12x45L	4	
97	HW106	Spring Washer	M10	4	
98	HS260	Hex. Socket Head Screw	M10x30L	4	
100	HS227	Hex. Socket Head Screw	M6x5L	2	
101	HS261	Hex. Socket Head Screw	M10x35L	4	
102	HW106	Spring Washer	M10	4	
103	HS258	Hex. Socket Head Screw	M10x20L	4	
104	HW106	Spring Washer	M10	4	
105	HW006	Washer	M10	4	
106	103106	Nut	AN07	2	
107	HW206	Washer	AW07	2	
108	191209	Bushing		1	
109	HS262	Hex. Socket Head Screw	M10x40L	2	
110	HW006	Washer	M10x20xt2	2	
111	103054	Bracket		1	
112	103053	Rack Hook		1	
113	103069	Pin		1	
114	HS422	Hex. Socker Headless Screw	M6x10L	2	

PARTS LIST

MODEL NO. 330NAA

CODE NO	PART NO	DESCRIPTION	SPECIFICATION	QTY	NOTE
115	105093	Wheel		1	
115-1	HW017	Washer	23*10.5-3	1	
116	HS230	Hex. Socket Head Screw	M6x20L	4	
117	103060	Cylinder Upper Support		1	
118	103078	Pivot Pin		1	
119	HS422	Hex. Socker Headless Screw	M6x10L	1	
120	HW005	Washer	M8	4	
121	HS242	Hex. Socket Head Screw	M8x20L	4	
122	HW105	Spring Washer	M8	2	
123	HS242	Hex. Socket Head Screw	M8x20L	2	
124	103059A	Cylinder Lower Support		1	
125	103079A	Pivot Pin		1	
126	HS422	Hex. Socker Headless Screw	M6x10L	1	
131	193030	Protractor Locating Block		1	
132	103026	Bearing Pin		1	
135	103106	Nut	AN07	1	
136	HW005	Washer	M8	2	
137	HS242	Hex. Socket Head Screw	M8X20L	2	
138	HW206	Washer	AW07	1	
139	19116S-1	Gear Box Assembly		1	
140	N006	Hex. Nut	M10	1	
141	189033	Handle		1	
142	HS519	Cross Round Head Screw	M5x10L	2	
143	103136	Bracker		1	
144	623124	Handle	ABS	2	Option
144	198086	Handle		2	Option
145	103108	Blade	27x0.9x3810L-4/6T	1	
146	HK044	Key	7x7x30L	1	
147	HW006	Washer	M10	1	
148	HW106	Spring Washer	M10	1	
149	HS059	Hex. Head Screw	M10x25L	1	
150	101107	Base Support		2	
152	HS242	Hex. Socket Head Screw	M8x20L	2	
153	HS430	Hex. Socker Headless Screw	M8x10L	2	
158	103046C	Bracket		1	
158-1	103165	Bushing		1	
159	HW106	Spring Washer	M10	4	
160	HW006	Washer	M10	4	
161	HS258	Hex. Socket Head Screw	M10x20L	4	
162	HN005	Hex. Nut	M8	1	

PARTS LIST

MODEL NO. 330NAA

CODE NO	PART NO	DESCRIPTION	SPECIFICATION	QTY	NOTE
163	HS433	Hex. Socker Headless Screw	M8x25L	1	
164	103049	Blade Guard (Rear)		1	
165	HN006	Hex. Nut	M10	1	
166	191333	Spring		1	
167S	103133S	Brush Assemble		1	
167-1	103133	Brush Shaft		1	
167-2	HE305	Cross Round Head Screw	M6-1.0x40L	1	
167-3	HW004	Washer	6.5*13-0.8t (M6)	3	
167-4	191334A	Brush		1	
167-5	HB802	Hex. Nut	M6	1	
172	HW004	Washer	M6	4	
173	103127	Plum Screw	M6x10L	4	
174	HS258	Hex. Socket Head Screw	M10x20L	3	
175	HS519	Cross Round Head Screw	M5X8L	1	
181	101061	Stop Block Support		1	
182	196213	Plum Screw		1	
182-1	HW004	Plum Screw	M6	1	
183	1966008	Distance Set Bracket		1	
184	HN006	Hex. Nut	M10	1	
185	HS060	Hex. Head Screw	M10x30L	1	
186	101078	Distance Set Rod		1	
186	101078A	Distance Set Rod		1	
187	105213	Scale		1	
188	HH001	Rivet	ϕ 2x5L	2	
190	105047	Blade Guard II (Rear)		1	
191	HS519	Cross Round Head Screw	M5x10L	2	
193	HB501	Grease Nipple	PT1/8	2	
194	103151	Motor Plate		1	
194	103151k	Motor Plate		1	
195	HW105	Spring Washer	M8	1	
196	HS247	Hex. Socket Head Screw	M8x45L	1	
197	HN007	Hex. Nut	M12	1	
197	HN007	Hex. Nut	M12	2	
198	103104	Screw		1	
199	HN006	Hex. Nut	M10	3	
199	HW007	Washer	M12	2	
200	1966033	Knob		1	
201	103102	Support Plate		1	
202	HS033	Hex. Head Screw	M6x12L	1	
204	HS284	Hex. Socket Head Screw	M12x50L	2	

PARTS LIST

MODEL NO. 330NAA

CODE NO	PART NO	DESCRIPTION	SPECIFICATION	QTY	NOTE
204	HS284	Hex. Socket Head Screw	M12x50L	4	
205	103058	Rack Support		2	
209	HW105	Spring Washer	M8	4	
210	HS242	Hex. Socket Head Screw	M8x20L	4	
211	103056	Rack		1	
212	HK007	Key	5X5X15L	1	
213	103055	Acme Screw		1	
213	103055G	Acme Screw		1	
214	101025	Feed Support		1	
224	HS242	Hex. Socket Head Screw	M8x20L	1	
225	HW005	Spring Washer	M8	1	
226	103115	Washer Ring		1	
227	103101	Washer Ring		1	
229	105078	Ring		1	
230	103082	Pivot Shaft		1	
231	CA32007	Bearing	32007	2	
232	HS261	Hex. Socket Head Screw	M10x35L	4	
233	103088	Gap Ring		2	
234	101034	Degree-Meter		1	
235	105063	Bolt		1	
235-1	105062	Spring		1	
235-2	105064	Shaft		1	
236	HN006	Hex. Nut	M10	1	
235	HH001	Rivet	ϕ 2x5L	2	
240	HP018	Pin	ϕ 5x20L	2	
241	HS047	Hex. Head Screw	M8x25L	2	
242	HW005	Washer	M8	2	
243	103084A	Angle Position		1	
244	HO029	O-Retainer Ring	P12	4	
246	HS046	Hex. Head Screw	M8x20L	2	
247	HN005	Hex. Nut	M8	2	
248	HN006	Hex. Nut	M10	1	
250	103128	Coolant Tank		1	
251	HS425	Hex. Socker Headless Screw	M6x12L	6	
252	HS243	Hex. Socket Head Screw	M8x25L	3	
253	103093	Angle Margin		1	
254	HS242	Hex. Socket Head Screw	M8x20L	2	
259	HS032	Hex. Head Screw	M6x10L	1	
260	HN004	Hex. Nut	M6	1	
261	191106A	Filter		1	

PARTS LIST

MODEL NO. 330NAA

CODE NO	PART NO	DESCRIPTION	SPECIFICATION	QTY	NOTE
262	105210	Scale		1	
262-1	HH001	Rivet	ϕ 2x5L	2	
263	101113	Knob	M10x40L	2	
264	HW009	Bushing	ϕ 19x ϕ 11x5t	2	
265	101081A	Fix Block		1	
266	101037	2 Way Limit Block		1	
266-1	101037A	2 Way Limit Block		1	
267	HW104	Spring Washer	M6	4	
268	HS230	Hex. Socket Head Screw	M6x20L	4	
269	MB13304CR	Cooling Pump	HP1/8/400/50 /3	1	
270	HS033	Hex. Head Screw	M6x15L	4	
271	HW104	Spring Washer	M6	4	
272	1975007	Rubber Cushion		1	
275	HS520	Cross Round Head Screw	M5x15L	2	
276	1975008	Acryl Plate		1	
277	HS093	Hex. Head Screw	M12x50L	4	
278	HN007	Hex. Nut	M12	4	
279	101087	Splash Board		1	
280	101085	Chip Tray		1	
282	105037A	Locating Foot (Left)		2	
283	HS431	Hex. Socker Headless Screw	M8x12L	2	
284	105037	Locating Foot (Right)		2	
285	HW005	Washer	M8	8	
286	HS241	Hex. Socket Head Screw	M8x15L	8	
287	103094	Connecting Plate		4	
288	HW005	Washer	M8	12	
289	HS241	Hex. Socket Head Screw	M8x15L	12	
290	103004SA	Stand Leg		1	
292	HW005	Washer	M8	8	
293	HS241	Hex. Socket Head Screw	M8x15L	8	
294	103038	Splash Board		1	
295	HW104	Washer	M6	2	
296	HS229	Hex. Socket Head Screw	M6x12L	2	
297	HS242	Hex. Socket Head Screw	M8x20L	2	
298	HW005	Washer	M8	4	
299	HN005	Hex. Nut	M8	2	
300S	SB03A060	Infrared ray Assembly		1	Option
300	189074	Bracket		1	Option
300-1	189072A	Infrared ray		1	Option
300-2	HS558	Cross Round Head Screw	M5-0.8P*8L	3	Option

PARTS LIST

MODEL NO. 330NAA

CODE NO	PART NO	DESCRIPTION	SPECIFICATION	QTY	NOTE
300-3	HW003	Washer	ø5.3*ø10Xt1mm	2	Option
300-4	HS558	Cross Round Head Screw	M5-0.8P*8L	2	Option
300-5	189073	Bracket		1	Option
301	MFH2049	Motor		1	
302	101090	Belt	(1422) 360V	1	
303	103098	Motor Pulley Cover		1	
304	HS519	Cross Round Head Screw	M5x10L	4	
305	103156	Speed Label	E=1/30	1	
306	1965033S	Spindle Pulley		1	
308	HK044	Key	7x7x30L	1	
309	103099A	Pulley Lower Cover		1	
310	105046	Cover		2	FOR CE
311	HS518	Cross Round Head Screw	M5x5L	2	FOR CE
312	HW004	Washer	M6	2	
313	HS228	Hex. Socket Head Screw	M6x10L	2	
324	HN006	Hex. Nut	M10	3	
325	HS062	Hex. Head Screw	M10x40L	3	
332	103039A	Stop Block Support		1	
333	103076	Distance Set Rod		1	
334	HN006	Hex. Nut	M10	1	
335	HS062	Hex. Head Screw	M10x40L	1	
336	HS062	Hex. Head Screw	M10x40L	1	
337	HN006	Hex. Nut	M10	1	
338	HS219	Hex. Socket Head Screw	M5x15L	2	
339	105059	Lower Adjusting Support		1	
342	103088	Gap Ring		1	
344S	103125S	Spray Assembly		1	
344-1	HD636	Straight Connector	PT3/8"xPT3/8"	1	
344-2	HD638	3 Way Connector	PT3/8"xPT3/8"Xpt3/8"	1	
344-3	HD655	Straight Connector	PT3/8"x1/2"	1	
344-4	HD659	Micro Control Block	PT3/8"x1/2"	1	
344-5	103125-5	Hose Clamp	φ 19	3	
344-6	103125-6	Net Tube	ID1/2"x2.8tx126cm	1	
344-7	103125-7	Net Tube	ID1/2"x2.8tx320cm	1	
344-8	103125-8	Spray		1	
345S	103126S	Valve Assembly		1	
345-1	103126-1	Copper Tube	1/4"x4.2cm	2	
345-2	103126-2	Valve	PT1/8"x1/8"	2	
345-3	HD677	Straight Connector	PT1/8"x1/4"	2	
345-4	HD656	Hose Clamp	φ 12	2	

PARTS LIST

MODEL NO. 330NAA

CODE NO	PART NO	DESCRIPTION	SPECIFICATION	QTY	NOTE
345-5	103127-3	Net Tube	ID1/4"x2.2tx143cm	2	
346S	103127S	3 Way Valve Assembly		1	
346-1	HS232	Hex. Socket Head Screw	M6x30L	2	
346-2	105173	3 Way Valve		1	
346-3	HD650	Straight Connector	PT1/4"x1/4"	1	
346-4	HD656	Hose Clamp	ϕ 12	2	
346-5	103127-3	Net Tube	ID1/4"x2.2tx143cm	1	
346-6	HD625	Micro Control Block	PT1/4"x1/4"	1	
346-7	103125-5	Hose Clamp	ϕ 19	1	
346-8	103127-4	Net Tube	ID1/4"x2.2tx64cm	1	
346-9	103127-5	Net Tube	ID1/2"x2.8tx320cm	1	
346-10	HD632	Micro Control Block	PT1/4"x1/2"	1	
347	HS520	Cross Round Head Screw	M5x12L	2	
348	1976027	Switch Adjusting Bracket		1	
349	105023	Switch Bracket(For CE Only)		1	
350	HW003	Washer	M5	2	
351	105054	Switch Bracket(For CE Only)		1	
352	HS228	Hex. Socket Head Screw	M6x10L	2	
354	103152	Motor Bracket		1	
355	HS242	Hex. Socket Head Screw	M8x20L	4	
356	103134	Support Sheet		1	
357	HS219	Hex. Socket Head Screw	M5x15L	2	
358	HS046	Hex. Head Screw	M8x18L	1	
359	HS045	Hex. Head Screw	M8x15L	1	
360	103135B	Bracket		2	
361	HS228	Hex. Socket Head Screw	M6X10L	4	
362	103137	Twisted Spring		2	
363	103135C	Support Rod		2	
364	105056	Blade Cover		1	
365	HS228	Hex. Socket Head Screw	M6x10L	2	
366	105057	Limit Switch Support		1	
367	HS519	Cross Round Head Screw	M5x10L	2	
370	103135A	Bracket		2	
374	105094	Cylinder		1	
375	HW105	Spring Washer	M8	4	
376	HS244	Hex. Socket Head Screw	M8-1.25Px30L	4	
377	103213	Ring		4	
378	103214	Flexible Plate		3	
379	HS243	Hex. Socket Head Screw	M6X20L	6	
382	103073C	Electrical Contrl Box (ECB)		1	

PARTS LIST

MODEL NO. 330NAA

CODE NO	PART NO	DESCRIPTION	SPECIFICATION	QTY	NOTE
382-2	103269B	Rear Cover of ECB		1	
382-3	HS519	Cross Round Head Screw	M5X10L	8	
382-4	103073E	Cylinder Control Cover		1	
383	HN004	Hex. Nut	M6	6	
384	HW004	Washer	M6	6	
385	HS230	Hex. Socket Head Screw	M6X20L	4	
386	HW004	Washer	M6	4	
387	103271PC	Lable for Name Plate		1	
388	103072PC	Name Plate		1	
389	103153	Tube	1/4" 2550L	1	
390	103153A	Tube	1/4" 3900L	1	
394	HS046	Hex. Head Screw	M8x20L	1	
395	103105A	Fixed Plate		1	
396	HW005	Washer	M8	2	
397	HS045	Hex. Head Screw	M8x15L	2	
398	HB803	Nut	M8	2	
400	HS510	Cross Round Head Screw	M5X12L	4	
407	103124A	Throttle Valve		1	
409	103173	Cylinder Control Plate	330AA	1	
412	103003	Hanger Plate		4	
415	HCR06	C-Retaniner Ring	R52	2	
416	CA30205J	Taper Roller Bearing (30205J)	30205J	2	
417	105060	Cover		3	
418	HW313	Star Washer	AW05	2	
419	1965043	Nut		1	
420	HB501	Grease Nipple	PT1/8	1	
421	105065	Bolt		1	
422	105066	Bracket		1	
423	105067	Screw rod		1	
424	105068	Knob		1	
430	105087A	Limit Switch Adjusting Bracket		1	
431	103092	Shaft		1	
432	103107	Scale		1	
433	195083	Knob	1/4"X12L	1	
462	103166	3 Way Connector	5/16"N	2	
469	HW105	Spring Washer	M8	16	
470	HS241	Hex. Socket Head Screw	M8x15L	16	
471	103141	Switch Bracket		1	
472	HW012	Washer	ø6.3xø13xt1.2	1	
473	HS228	Hex. Socket Head Screw	M6x10L	1	

PARTS LIST

MODEL NO. 330NAA

CODE NO	PART NO	DESCRIPTION	SPECIFICATION	QTY	NOTE
474	HS519	Cross Round Head Screw	M5x10L	2	
477	HS044	Hex. Head Screw	M8x10L	2	
480-1	151105-1	Adjustment Valve		1	
490	151130	Bracket		1	
491	HW005B	Washer	M8	4	
492	HS242	Hex. Socket Head Screw	M8X20L	4	
493	HW005B	Washer	M8	4	
494	HS349	Hex. Socket Head Screw	M8X15L	4	
496	HW004B	Washer	M6	4	
497	HS334	Hex. Socket Head Screw	M6X12L	4	
500	151132	Body Frame B		1	
501	151131	Body Frame A		1	
502	HN005B	Hex. Nut	M8	3	
503	HS432	Hex. Socker Headless Screw	M8X20L	2	
504	151174	Knob	M8XP1.25*25L	1	
505	HW005B	Washer	M8	4	
506	HS349	Hex. Socket Head Screw	M8X15L	4	
507	151129	Bracket		1	
508	HW004B	Washer	M6	6	
509	HS334	Hex. Socket Head Screw	M6X12L	6	
515	151127	Control Box		1	
516	HW003B	Washer	M5	4	
517	HS331	Hex. Socket Head Screw	M5X12L	4	
518	HW003B	Washer	M5	4	
519	HS331	Hex. Socket Head Screw	M5X12L	4	
520	151175	Knob		2	
521	HW003B	Washer	M5	4	
522	HS331	Hex. Socket Head Screw	M5X12L	4	
525	133170	Valve		1	
525-2	ET1639	Timer	220V-5	1	
524	HT001	Round Head Screw	M5X10L	2	
527	151161	Connect Shaft		1	
528	HS422	Hex. Socker Headless Screw	M6X10L	1	
530	103072k	Switch Plate		1	
531	HW003B	Washer	M5	6	
532	HS331	Hex. Socket Head Screw	M5X12L	6	
850	HS241	Hex. Socket Head Screw	M8x15L	2	
851	HW005	Washer	M8	4	
852	HN005	Nut	M8	2	
853S	103063ES2	Hydraulic Unit	3PH /1/4HP	1	

PARTS LIST

MODEL NO. 330NAA

CODE NO	PART NO	DESCRIPTION	SPECIFICATION	QTY	NOTE
853-1	103063AA	Cover		1	
853S	103063KS	Hydraulic Unit	3PH/ 1/4HP	1	
854	HS519	Cross Round Head Screw	M5x10L	4	
855	HW103	Spring Washer	M5	4	
856-1	103172	Cross Round Head Screw		1	
857	HS240	Hex. Socket Head Screw	M8x10L	3	
858	HW105	Spring Washer	M8	3	
861	105211	Degree-Meter		1	
868	ET1621	Limit Switch		1	FOR CE
869	ET1624	Limit Switch		1	FOR CE

MACHINERYHOUSE